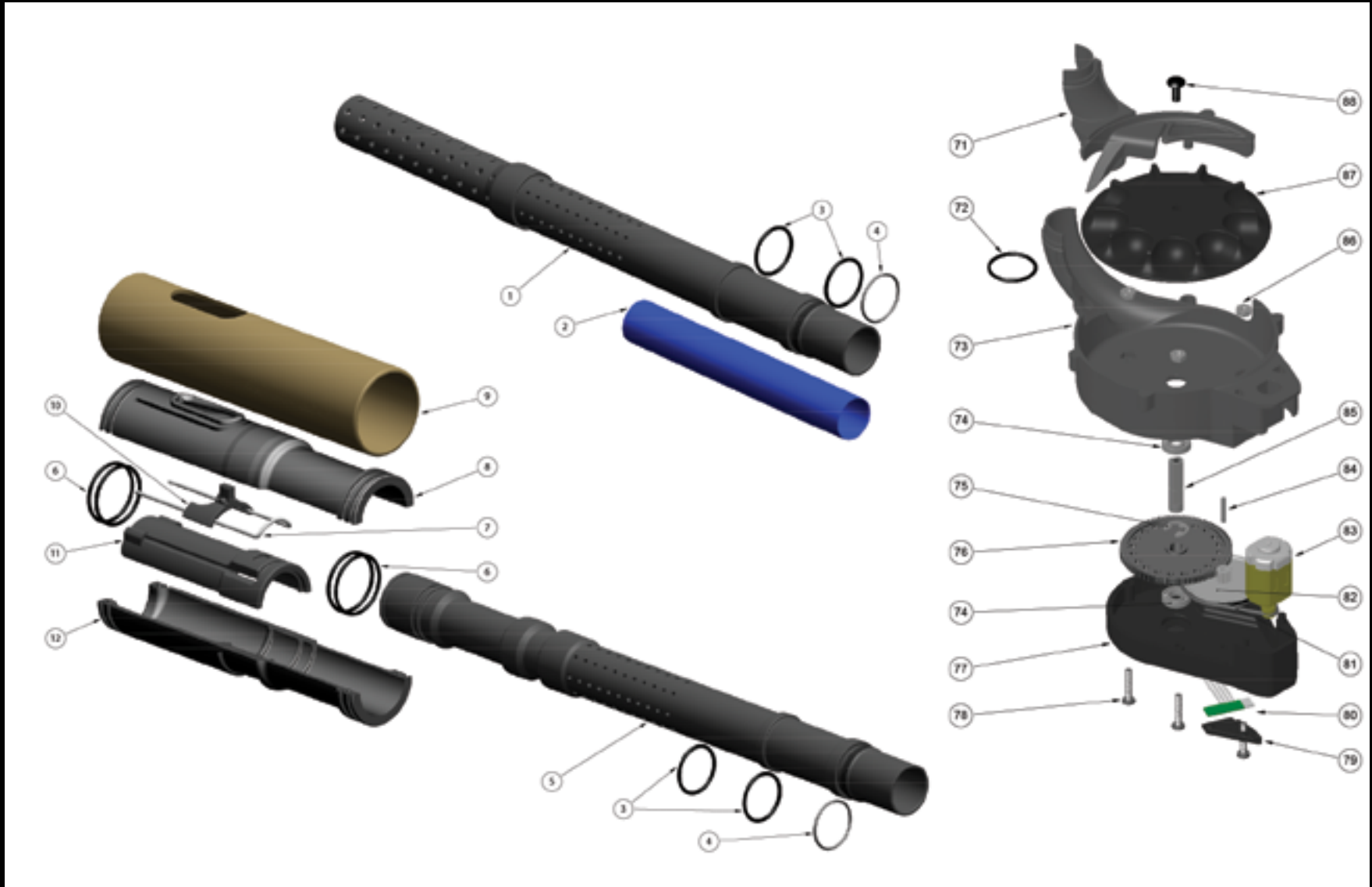
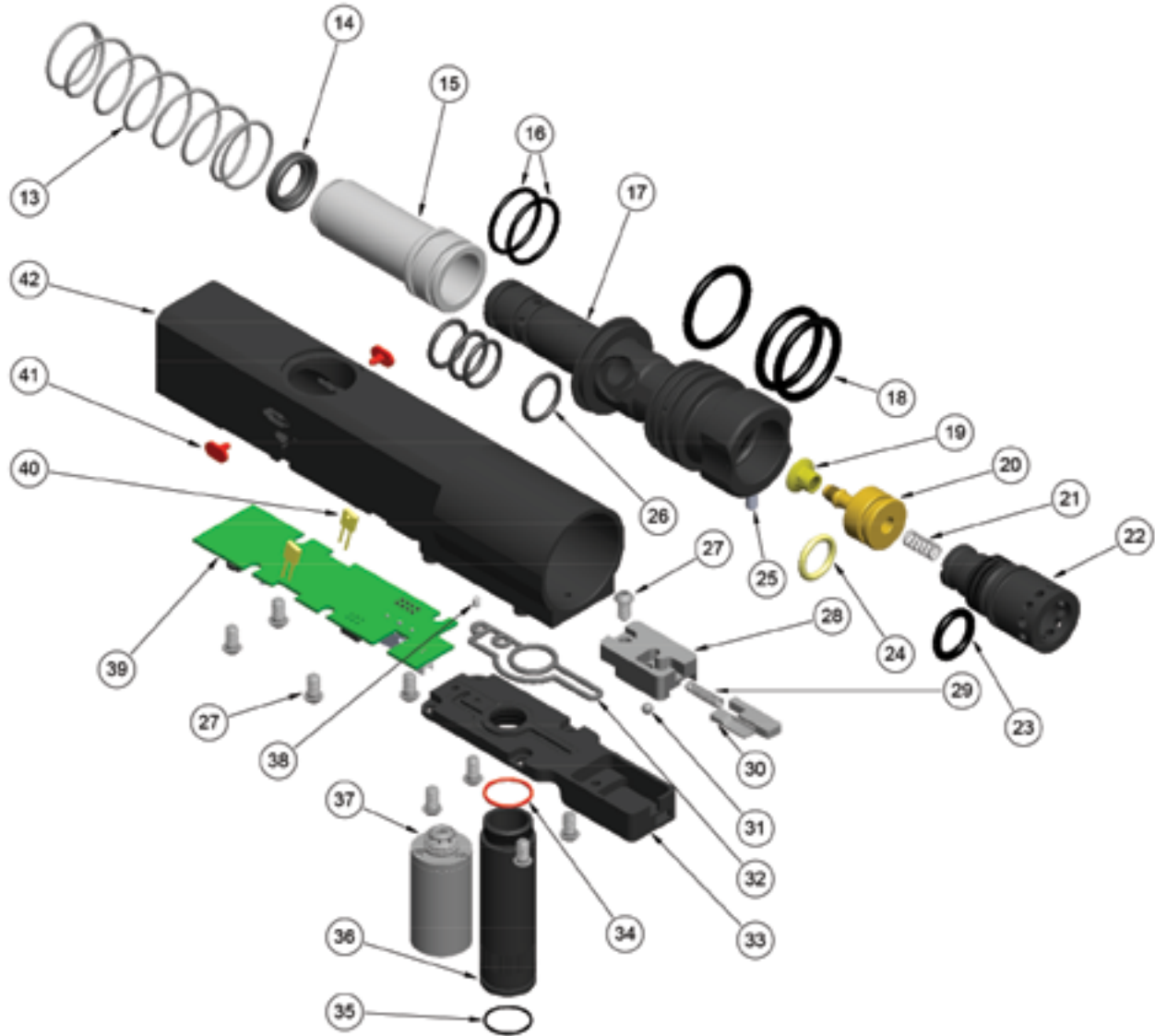
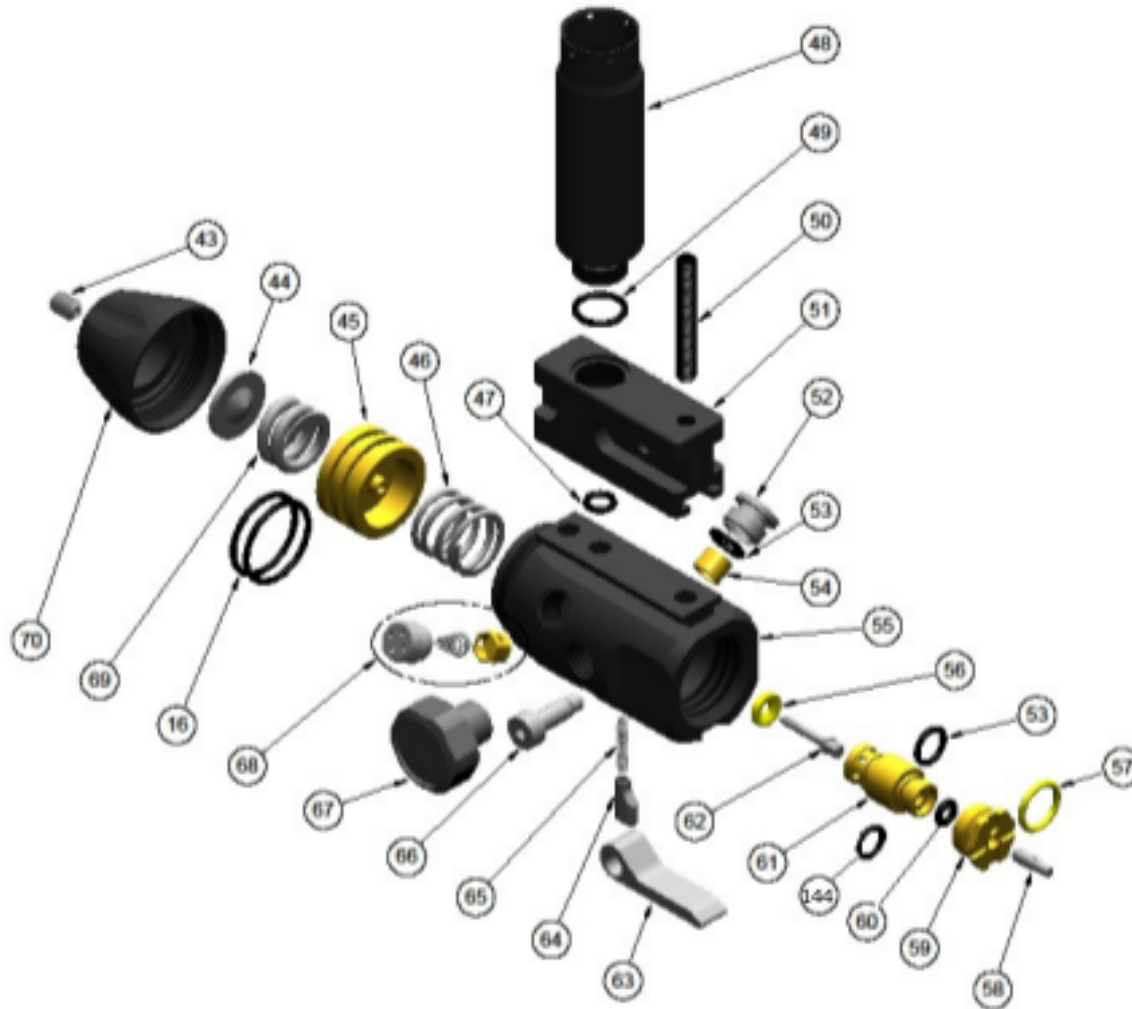


# 11. DIAGRAMS/PARTS LIST







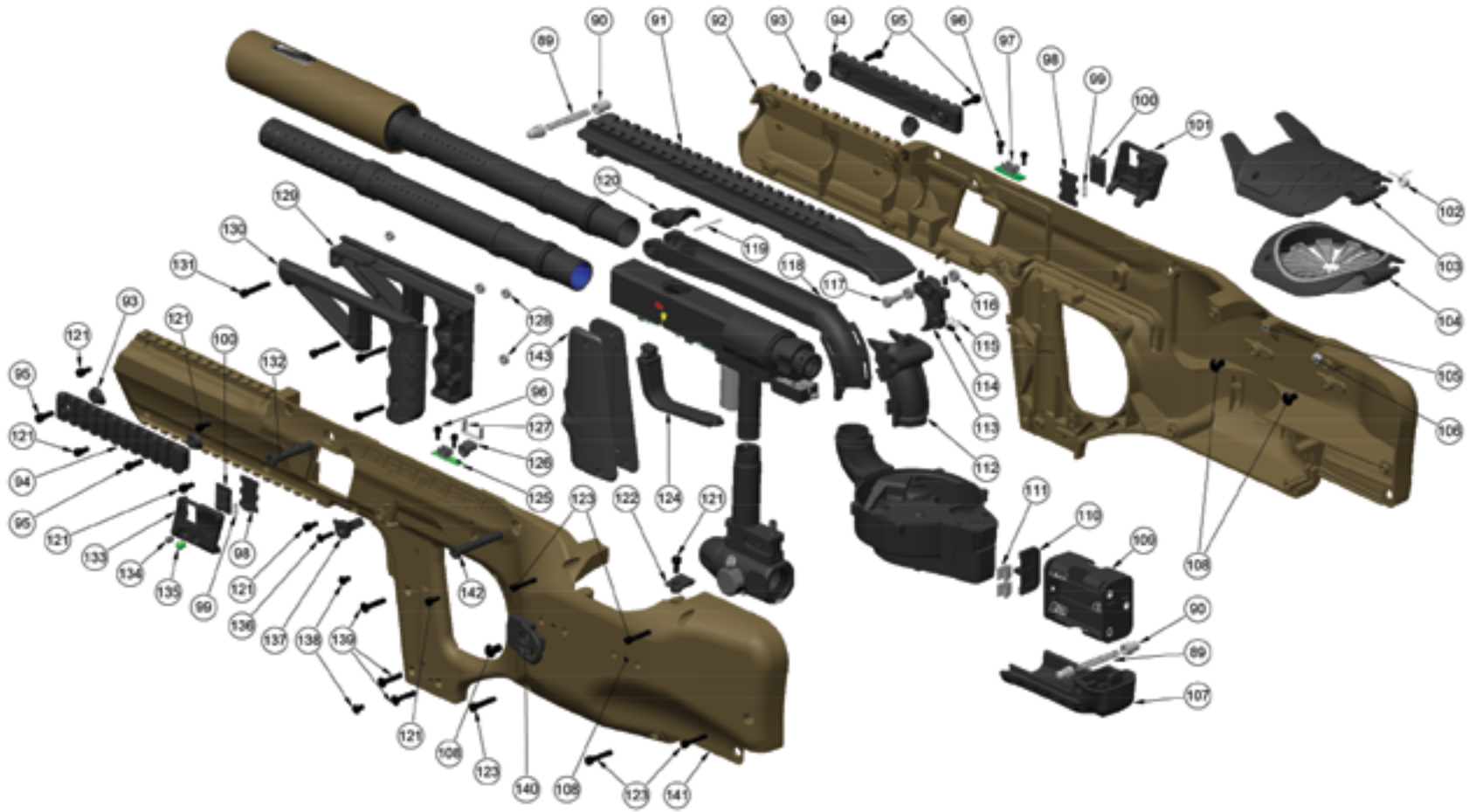




DIAGRAM #	PART DESCRIPTION	SKU
1	STANDARD ALU BARREL	72720
2	ALU BARREL INSERT- SIZE .690	11523
2	ALU BARREL INSERT- SIZE .685	11522
2	ALU BARREL INSERT- SIZE .680	11521
3	O-RING BUNA-N70 DUR-018 (.739 ID)	72508
4	O-RING BUNA-N 70 DUR 1MM CS X 19.5MM ID	72488
5	APEX BARREL	72721
6	O-RING BUNA-N 70 DUR -021 (.926 ID)	11506
7	APEX WIRE SPRING	11504
8	APEX BODY INSERT TOP	11500
9	APEX HOUSING TUBE	11502
10	APEX ADJUSTER	11505
11	APEX DEFLECTOR	11503
12	APEX BODY INSERT BOTTOM	11501
13	MAIN SPRING	17535
14	BOLT RUBBER TIP	17533
15	BOLT	17532
16	O-RING BUNA-N 70 DUR -017 (.676 ID)	17534
17	BOLT GUIDE	72722
18	O-RING BUNA-N 70 DUR 2.5MM CS X 23.0MM ID	72340
19	POPPET SEAL	17629
20	POPPET ASSEMBLY WITH SPRING	17539
21	POPPET SPRING	17623
22	VELOCITY ADJUSTER	72723
23	O-RING BUNA-N 70 DUR 2.4MM CS X 10.80MM ID	17538
24	O-RING URETHANE 90 DUR 2MM CS X 10MM ID	17540
25	DOWEL PIN .125 DIA X .375	72724
26	O-RING BUNA-N 70 DUR 1.5MM CS X 12MM ID	17537
27	SCREW BHCS 6-32 X .250 (SMALL HEAD)	17652
28	RELEASE BLOCK	72725
29	SPRING .1200D X 0.50FL .020WD RATE 18.LB/IN	72584
30	RELEASE BUTTON	72726
31	BEARING BALL 1/8 DIA	72585
32	AIR TRANSFER GASKET	17530
33	MANIFOLD	72727
34	O-RING BUNA-N 70 DUR 1MM CS X 13.0MM ID	17552

35	O-RING BUNA-N 70 DUR 0.8MM CS X 12.0MM ID	17553
36	AIR TRANSFER TUBE MALE	17551
37	SOLENOID	17528
38	CHECK VALVE	17531
39	MAIN CURCUIT BOARD	72728
40	EYE HARNESS	72729
41	BALL DETENT	72577
42	BODY	72730
43	SCREW SET 10-32 X .375 CP	72654
44	REGULATOR DISK	17591
45	REGULATOR PISTON	72360
46	REGULATOR PISTON RETURN SPRING	72395
47	O-RING BUNA-N 70 DUR -008 (.176 ID)	10761
48	TUBE LOWER	72731
49	O-RING BUNA-N 70 DUR -012 (.364 ID)	72490
50	SCREW SET 10-32 X 1.250 CUP POINT	72732
51	REGULATOR MOUNT	72733
52	REGULATOR FILTER COVER	72359
53	O-RING BUNA-N 70 DUR 1.5MM CS X 6.5MM ID	72509
54	REGULATOR FILTER	72358
55	REGULATOR BODY	72734
56	REGULATOR SEAL	72364
57	O-RING URETHANE 70 DUR -012 (.364 ID)	10257
58	REGULATOR ON/OFF PIN	72372
59	REGULATOR NUT	72599
60	O-RING BUNA-N 70 DUR -006 (.114 ID)	72489
61	REGULATOR SEAL RETAINER	72652
62	PIN REGULATOR	72363
63	REGULATOR LEVER	72613
64	PIN WEDGE	72614
65	REGULATOR CAM SPRING	72369
66	SCREW SHSS 3/16 DIA 3/8 LG 8-32 x .250	72512
67	300PSI EMPIRE GAUGE	72375
68	REGULATOR OPP COMPLETE	17597
69	MAIN REGULATOR SPRING	72608
70	REGULATOR CAP	72615
71	ANTI JAM	72735
72	O-RING BUNA-N 70 DUR -020 (.864 ID)	40920



73	CATCH CUP	72736
74	BEARING .250 ID X .500 OD X .125 THK	38803
75	E-RING	38823
76	SPROCKET	31074
77	GEAR BOX COVER	38496
78	SCREW PHCS 4-40 X .625	38827
79	SENSOR COVER	38497
80	DRIVE SENSOR	72737
81	O-RING BUNA-N 70 DUR -.028 (1.375 ID)	38820
82	PULLEY GEAR	38837
83	MOTOR WITH WIRING HARNESS	72738
84	GEAR PIN - DOWEL PIN .078 DIA X .500	38828
85	DRIVE SHAFT	72739
86	NUT HEX 4-40	38805
87	CARRIER	72740
88	SCREW THCS 6-32 X .375	38982
89	SPRING .1800D X 1.500FL .026WD RATE 8.0LB/IN	72741
90	BUTTON RELEASE	72742
91	TOP RAIL	72743
92	RIGHT SHELL	72744
93	SIDE RAIL ADAPTER	72745
94	SIDE RAIL	72746
95	SCREW SHCS 6-32 X .4375	72747
96	SCREW SHCS 4-40 X .250	72748
97	HARNESS CIRCUIT BOARD (COMPLETE)	72749
98	DOOR RETAINER	38938
99	SPRING .1140D X .31FL .014WD RATE 9.6LB/IN	38939
100	DOOR SWITCH	38937
101	RIGHT SIDE COVER	72750
102	LID SPRING	31025
103	STANDARD LID	72751
104	QUICK LOAD LID	72752
105	MAGNET 8MM DIA .X 4MM	31009
106	MAGNET 8MM DIA X 6MM	38475
107	BATTERY DOOR	72753
108	SCREW BHCS 10-32 X .3125	72754
109	HOLDER BATTERY AA	38804

110	BATTERY HARNESS HOLDER	17823
111	BATTERY HARNESS	17715
112	FEED RAMP BACK	72755
113	TRIGGER	72756
114	SCREW SET 6-32 X .250 FLAT POINT	17523
115	SPRING .1800D X .310FL .012WD RATE 3.0LB/IN	72757
116	BEARING .156 ID X .3125 OD X .1555	72381
117	SCREW SHSS 5/32 DIA 5/16 LG 6-32 X .138	72758
118	FEED RAMP FRONT	72759
119	SPRING PIN .0625 DIA X 1.000	72760
120	FEED RAMP TOP	72761
121	SCREW SHCS 6-32 X .3125	72762
122	LID RETAINER	72763
123	SCREW SHCS 6-32 X .750	17815
124	TRIGGER GUARD	72764
125	SELECTOR CIRCUIT BOARD	72765
126	SWITCH SHAFT INNER WITH MAGNET	72766
127	SELECTOR SPRING	72767
128	NUT HEX 6-32 .25 WIDE x .092 THK	72768
129	FOREGRIP RH	72769
130	FOREGRIP LH	72770
131	SCREW SHCS 6-32 x .875	72771
132	COMPLETE SHELL SPRING PIN (SHORT)	72772
133	LEFT SIDE COVER	72773
134	POWER BUTTON	17712
135	LIGHT PIPE	17710
136	SCREW FHCS 4-40 X .500	17650
137	SELECTOR SWITCH OUTER	72774
138	SCREW BHCS 6-32 X .250	17653
139	SCREW FHCS 6-32 X .750	72775
140	SLING MOUNT	72776
141	LEFT SHELL	72777
142	COMPLETE SHELL SPRING PIN (LONG)	71933
143	RUBBER GRIP	17717
144	O-RING BUNA-N 70 DUR 1.0mm CSx6.0mm ID	72546